

# RSR86


solid state relays, miniature

RSR86-35D12-32N



RSR86-35D12-32P



- DC switching (instantaneous commutation)
- DC control input (non polarized)
- MOSFET output • Load current 12 A
- Max. load voltage 35 V DC
- Dielectric strength 2 500 Vrms (opto-isolation)
- LED indicator (green)
- Suitable for PCB mounted
- Recognitions, certifications, directives: RoHS, REACH, 

## Applications

Recommended for applications demanding fast switching speed, intelligent measuring instruments, PCB electronic systems.



## Basic technical data

Load voltage: 0...35 V DC

Control input: DC

Load current: 12 A

### Type

DC switching

Load voltage

Control voltage

Load current

12 A

0...35 V DC

10...32 V DC

**RSR86-35D12-32N**

**RSR86-35D12-32P**

## Load voltage

	<b>RSR86-35...</b>
Rated load voltage	24 V DC
Rated range of load voltage	0...35 V DC
Blocking voltage	35 V DC

# RSR86

solid state relays, miniature

## Control input

DC switching

	<b>RSR86...D.-32.</b>
Control voltage range	10...32 V DC
Must turn-on voltage	10 V DC
Must turn-off voltage	< 10 V DC
Rated input current	10,7 mA 24 V DC
Control current range	3,5...14,8 mA ±10%
Response time pick-up	< 0,05 ms
Response time drop-out	< 0,25 ms

## Output circuit

	<b>RSR86...12...</b>
Rated load current	12 A up to 40 °C (stand alone installed)
Rated load range	0,1...12 A
Maximum surge current	120 A 10 ms
Min. operational current	1 mA
Maximum off-state leakage current (at rated load voltage)	0,01 mA
Maximum on-state voltage drop (at rated current)	0,05 V DC
Maximum on-state resistance	7,5 mΩ

## General data

	<b>RSR86...</b>
Dielectric strength	input - output: 2 500 V <sub>rms</sub> 50/60 Hz
Minimum insulation resistance	input - output: 1 000 MΩ 500 V DC
Ambient temperature (non-condensation and/or icing)	storage: -40...+100 °C operating: -20...+60 °C

❶ Data given for ambient temperature ≤ 25 °C. Above 25 °C the maximum current decreases - see "Thermal derating curves", page 3.

## Mechanical data

	<b>RSR86...</b>
Dimensions (L x W x H)	29 x 12,7 x 15,7 mm
Weight (typical)	10,5 g
Application	PCB

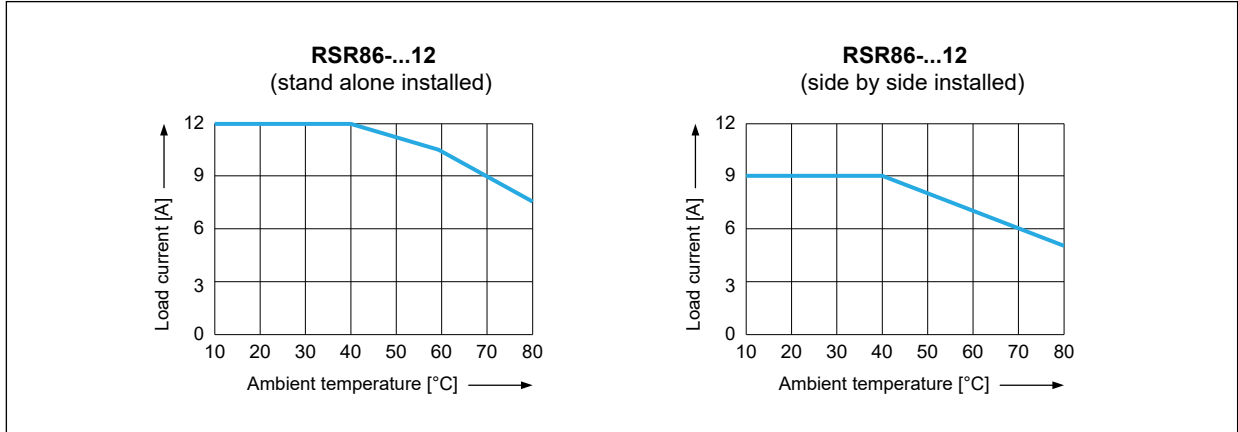
# RSR86

solid state relays, miniature

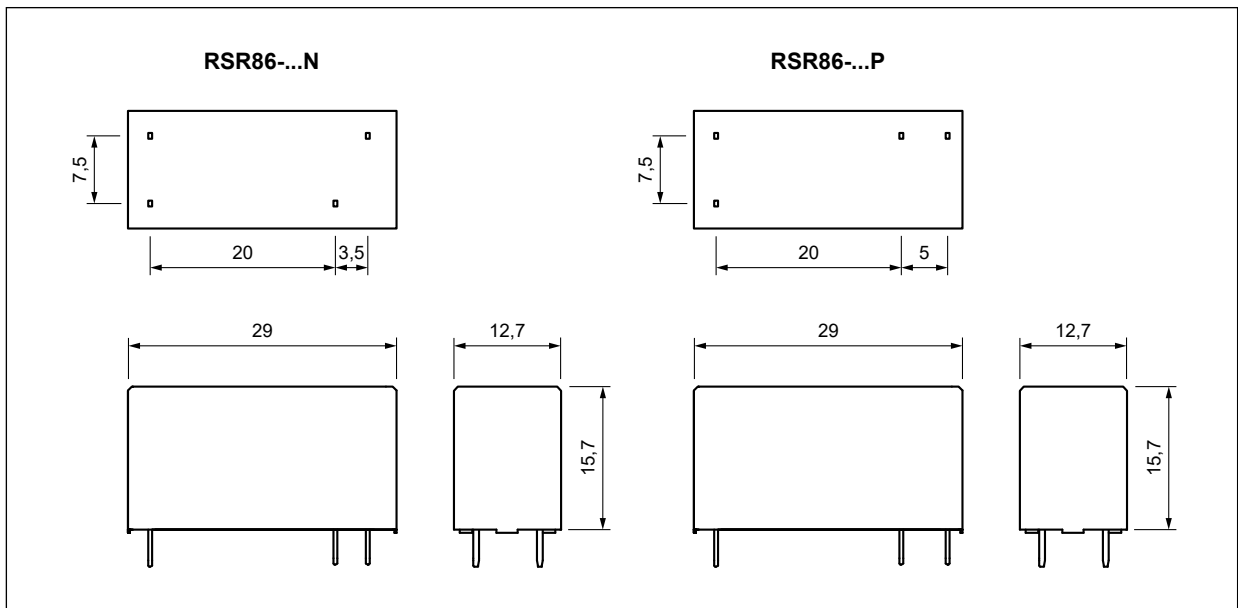
## Mounting

Relays **RSR86** are designed for direct PCB mounting.

## Thermal derating curves



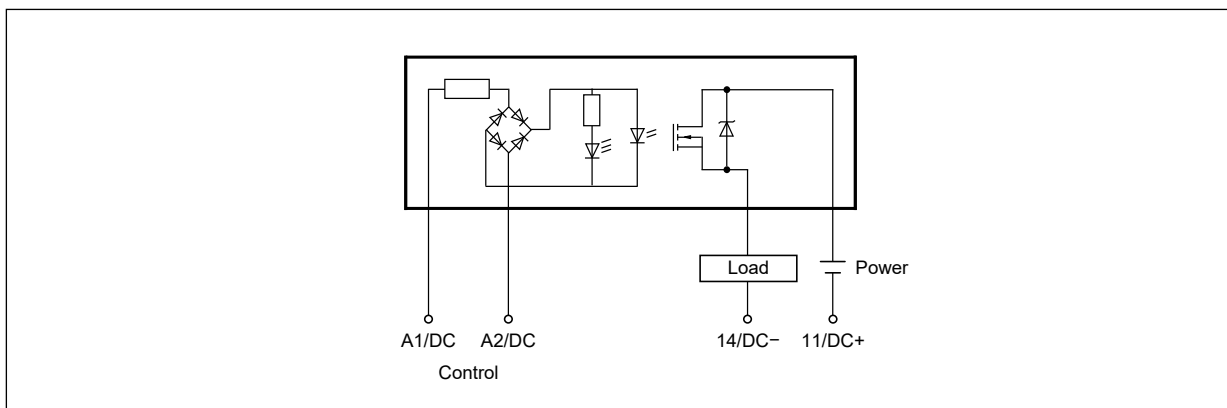
## Dimensions



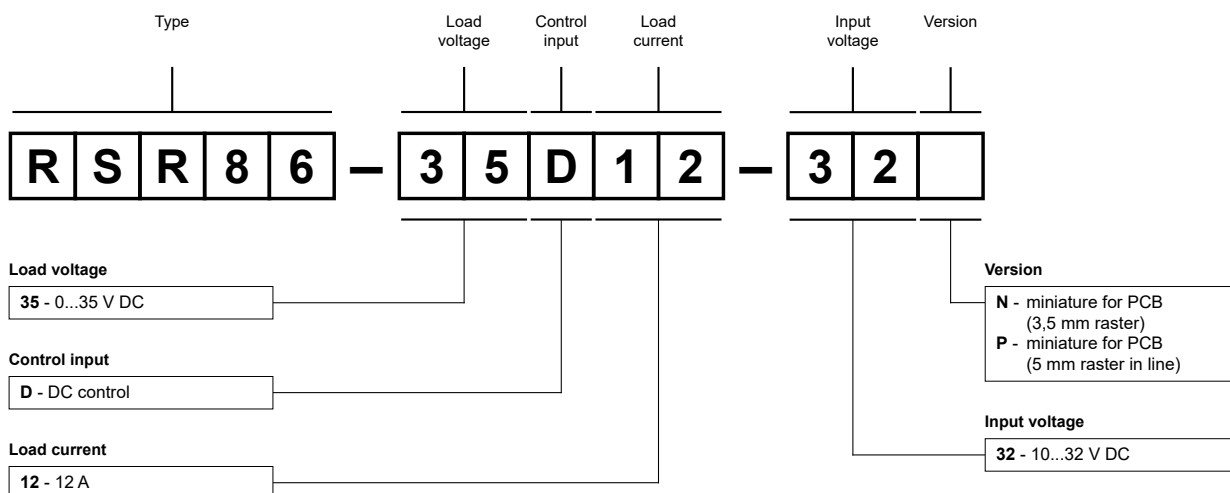
# RSR86

solid state relays, miniature

## Connection diagram



## Ordering codes



Examples of ordering codes ☺:

**RSR86-35D12-32N**

relay **RSR86**, miniature for PCB (3,5 mm raster), DC control, input voltage 10...32 V DC, load voltage 0...35 V DC, load current 12 A

**RSR86-35D12-32P**

relay **RSR86**, miniature for PCB (5 mm raster in line), DC control, input voltage 10...32 V DC, load voltage 0...35 V DC, load current 12 A

☺ Ordering codes **RSR86** are specified in table "Type" on page 1.